

EASYVIEW™ TENSION INDICATOR

The EasyView™ Tension Indicator is a small, inexpensive, general-purpose device for the measurement and display of web tension. Using *Quick-Cal™* digital technology, the unit is zeroed and calibrated simply by using push buttons.

In addition to amplifying the signal output from tension transducers installed in the web path and displaying actual tension on a 2.5 inch analog meter, the EasyView Tension Indicator powers the tension transducer (or transducer pair) and provides an isolated 0-to-10Vdc signal proportional to tension for a drive, controller or PLC.

For mounting on a wall or machine frame, the EasyView Tension Indicator is available in a compact, steel, full

enclosure (E). As an alternate configuration there is an open, flat Panel (P) version for mounting into a cutout on an OEM operator panel or cabinet.

Electrical connections are made at a closed terminal strip accessed via conduit through a 7/8 inch hole in the enclosure bottom.

Integrated electrical isolation, package options, ease-of-installation, ease-of-viewing, and low cost make the EasyView indicator a popular choice for web tension monitoring or control applications.

BENEFITS/FEATURES

- Small unit—measures just 3.5 inches x 4 inches x 3.5 inches
- Uses *Quick-Cal™* push-button Zero and Calibration
- Large 2.5 inch tension display, analog or digital (optional)
- Mounts on a wall, machine frame or just about any tight space
- Rugged Steel Enclosure
- Powered by 24 VDC
- I/O connections made via terminal strip
- Integrated electrical isolation for output
- Competitive price—great value for a low cost

OPTIONS

- **DIN-rail Mounting Clip (DRC).** For both cable and terminal block versions.
- **Digital Meter (DM).** Digital tension meter in place of analog meter.
- **Extended Range (XRE).** Extends the tension sensing range of XR equipped transducers to effectively increase the transducer sensitivity for very low web tensions. Transducers must have the XR option.
- **Hook and Loop Mounting (HL).** Alternative to DRC mounting.
- **Non-Standard Meter Scale (NMS).** Custom scale other than standard scales listed.
- **25% Calibration Ratio (25CW).** Calibration ratio of 25%.

ORDERING INFORMATION

You may order from the list of two configurations below. Please refer to Configuration Selection on the following page to choose the right EasyView for your transducer.

Examples: TI25E-25-DRC,
TI25P-50-DM

TI25X - XXX - OPTION (separated by commas)

CONFIGURATION	METER SCALE	OPTIONS
E = Enclosure P = Panel Mount	<u>Analog Meter:</u> 1, 5, 10, 25, 50, 100 150, 250, 500, 1000 <u>Optional Digital Meter:</u> 1, 5, 10, 25, 50, 75, 100 150, 200, 250, 300, 400, 500, 750	25CW = 25% Calibration Ratio DM = Digital Meter ⁽¹⁾ DRC = Din Rail Clip ⁽²⁾ HL = Hook and Loop Mounting ⁽²⁾ NMS = Non-Standard Meter Scale XRE = Extended Range

Notes: 1. Digital meter has 3 digits. 2. Applies to enclosure configuration only.

CONFIGURATION SELECTION

As shown below and in the Ordering Information section, you have four possible configurations to choose from.

The full enclosure (E) is available with either an analog meter or a digital meter.

The panel mount (P) is also available with either an analog meter or a digital meter.

See the illustrations referenced below for assistance or ask your DFE Applications Engineer for help.



Enclosure with analog meter



Enclosure with digital meter



Panel Mount with analog meter



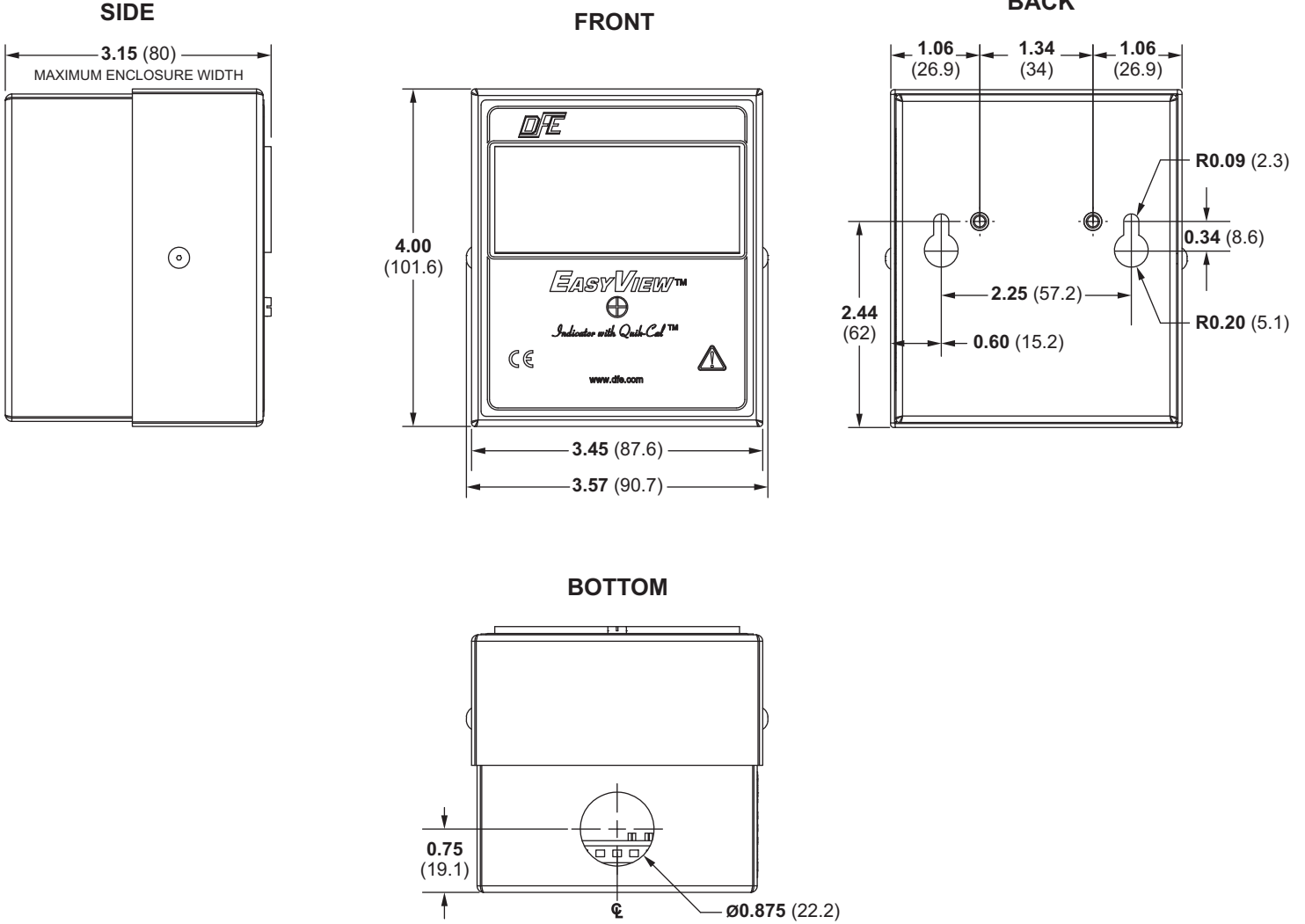
Panel Mount with digital meter

SPECIFICATIONS

- **Power Input:**
Voltage = 24 Vdc +/- 10%,
Current = 0.1Adc typical. 0.3Adc internal fusing.
- **Outputs:** +10V tension signal output (isolated), 5mA max., 0-1mA tension meter output.
- **Ambient Temperature Range:** 32°F to 113°F (0°C to 45°C).
- **Transducer Signal Input:** 0.5 Vdc at rated load per pair.
- **Transducer Excitation:** 5Vdc.
- **Enclosure:** Steel.
- **Weight:** 2 lbs. (0.91 kg).
- **Accuracy:** Max error of 1% over temperature range, 0.1% typical.
- **Zero (Tare) Range:** Minimum 95% of transducer rating.
- **Calibration Range:** Minimum 50 : 1.
- **Optional Tension Meter Type:** Digital, 3 digit range.
- **Standard Analog Meter Scales:** 0 to 1, 5, 10, 25, 50, 100, 150, 250, 500, 1000.
- **Calibration Ratio:** 10% (25% optional).

DIMENSIONS Inches (mm)

ENCLOSURE:



PANEL MOUNT:

