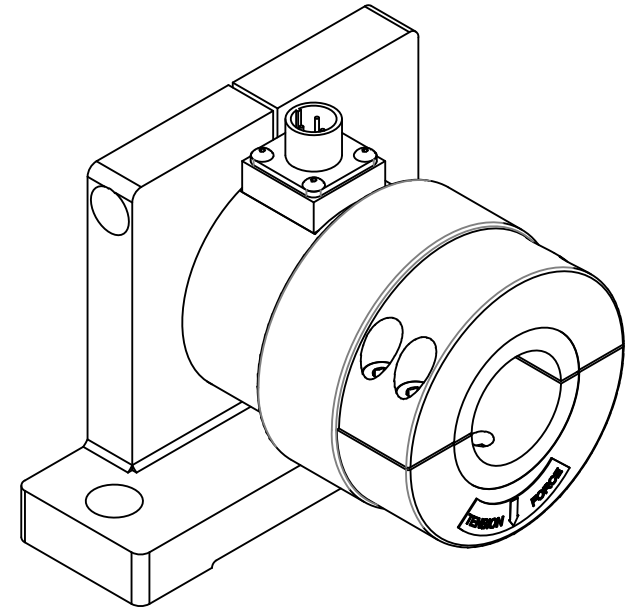
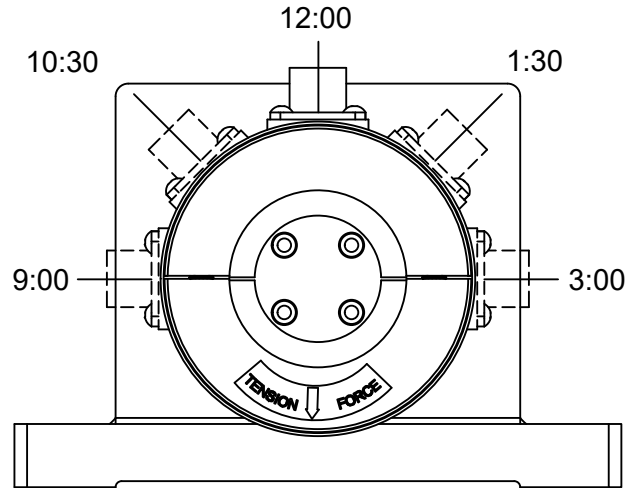
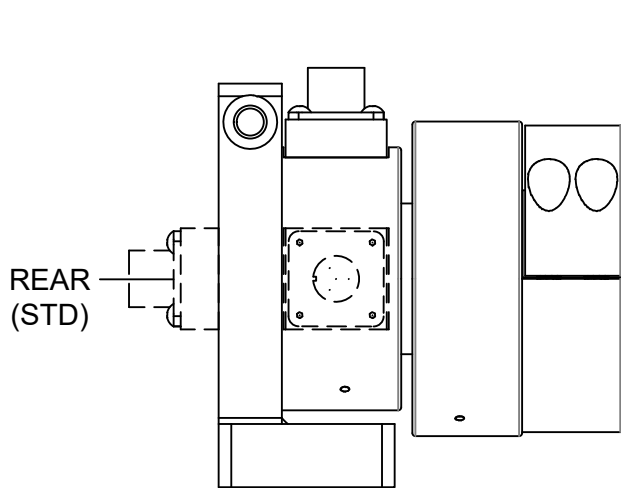


- NOTES:
- All tension force directions and connector positions are viewed looking into the shaft coupling.
  - All transducers are built assuming the mounting surface and tension force direction are at the 6:00 position. Other tension force directions are available and must be specified at time of order.
  - Available connector positions are 9:00, 10:30, 12:00, 1:30, 3:00 and Rear.
  - Tension force direction can be in line with the connector position or be at 45 degree increments from the connector position.



12:00 CONNECTOR POSITION AND  
6:00 TENSION FORCE DIRECTION  
SHOWN



CONNECTOR POSITIONS

LATEST REVISION CHANGE


COPYRIGHT © 2008 DOVER FLEXO ELECTRONICS. ALL RIGHTS RESERVED

COMPANY CONFIDENTIAL  
THE SUBJECT MATTER DISCLOSED HEREIN CONSTITUTES PROPRIETARY INFORMATION IS THE CONFIDENTIAL PROPERTY OF DOVER FLEXO ELECTRONICS AND NONE OF WHICH SHALL BE COPIED, REPRODUCED, DISCLOSED IN PUBLIC, PUBLISHED OR USED WITHOUT THE EXPRESS WRITTEN PERMISSION OF A DULY AUTHORIZED AGENT OF THE COMPANY. THIS DOCUMENT IS THE PROPERTY OF LIFE AND IS TO BE RETURNED TO THE COMPANY ON DEMAND.

UNLESS OTHERWISE SPECIFIED TOLERANCES ARE: INCH ± .010 MM ± .10		STIPPLES ARE IN ACCORDANCE WITH ANSI Y14.5, 1992		DOVER FLEXO ELECTRONICS 277 PICKERING RD. WOODSTOCK, VA 22667-4630 USA	
UNLESS OTHERWISE SPECIFIED SURFACE FINISH SHALL BE:	UNLESS OTHERWISE SPECIFIED TOLERANCES ARE: INCH ± .010 MM ± .10	USED ON	DATE	REV	TITLE CONNECTOR vs TENSION FORCE MODEL C**PB
X ± .04 ON DRW ± .01					SIZE C
.XX ± .02 ON DRW ± .05					SCALE: NTS
.XXX ± .005 ON DRW ± .125					SHEET 1 OF 1
.XXX ± .125					REV