



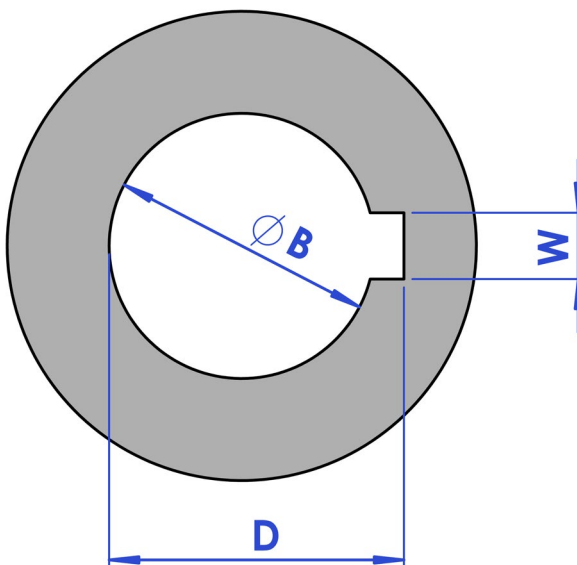
Brake Non-Standard Bore and Key Worksheet

To be used in conjunction with specifications listed in the Brake Catalog

Contact: _____ Phone: _____ Email: _____

Company: _____ Address: _____

Brake Hub and Keyway Dimensions



| Brake Series | | 60 | 90 | 110 | 130 | 1800 |
|----------------------|------|-------------|-------------|-------------|-------------|-------------|
| Bore Size Min/Max | Inch | 0.625-1.375 | 0.750-1.375 | 1.250-2.438 | 1.375-2.750 | 2.000-4.500 |
| | mm | 13-35 | 19-35 | 32-62 | 35-70 | 50-115 |

Hub Configuration

Keyway Width (W) _____

Keyway Depth (D) _____

Bore Diameter (B) _____