



## PNEUMATIC BRAKE FRICTION PADS

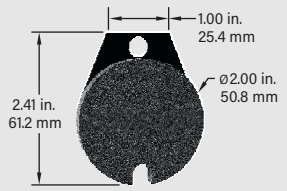


**Dover Flexo Electronics' pneumatic tension brakes and friction pads are integral parts of a high-performance unwind package.**

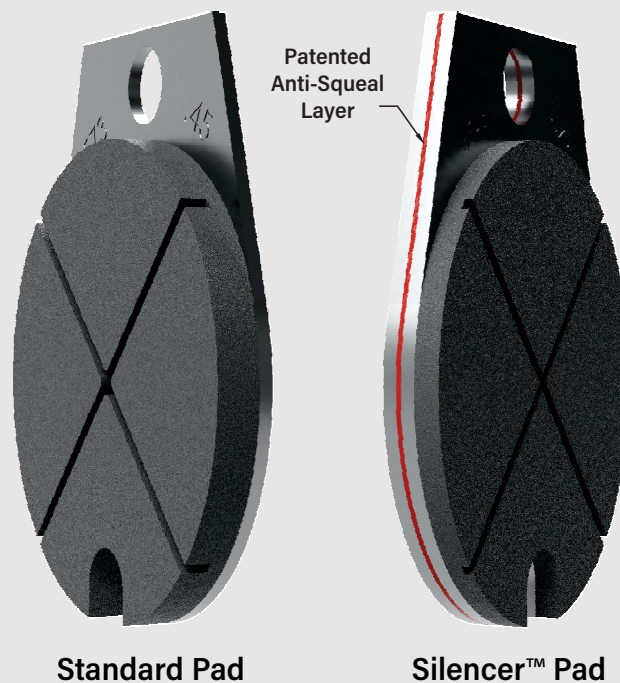
- DFE's no-squeal warranty and Silencer™ friction pads ensure no screeching brake noise.
- Hassle-free friction pad removal and installation. No tools required.
- Non-toxic, asbestos-free friction pad materials.
- Available in high and low coefficients of friction.
- Silencer™ pads, if needed, are used on a brake in a pair.
- Patented squeal-elimination technology provided by the thin laminate layer of the Silencer™ friction pads.

## PART NUMBERS FOR ORDERING

To order the correct friction pad or Silencer™ kit for your brake size, select the 7-digit part number from the charts below. Standard pads may be ordered in any quantity, but Silencer™ pads are sold in pairs.

<b>60 SERIES BRAKE PADS</b>				
 <p style="font-size: small; text-align: center;">Standard Pad (Sold Individually)</p>	 <p style="font-size: small; text-align: center;">Silencer Pad Kit (Sold as a pair)</p>	Coefficient of Friction	Standard Pad	Silencer Kit
		#1 (0.10)	613-3544	610-3741
		#4 (0.45)	613-3574	610-3609

<b>90 - 1800 SERIES BRAKE PADS</b>				
 <p style="font-size: small; text-align: center;">Standard Pad (Sold Individually)</p>	 <p style="font-size: small; text-align: center;">Silencer Pad Kit (Sold as a pair)</p>	Coefficient of Friction	Standard Pad	Silencer Kit
		#1 (0.10)	613-3543	610-3750
		#4 (0.45)	613-3573	610-3433

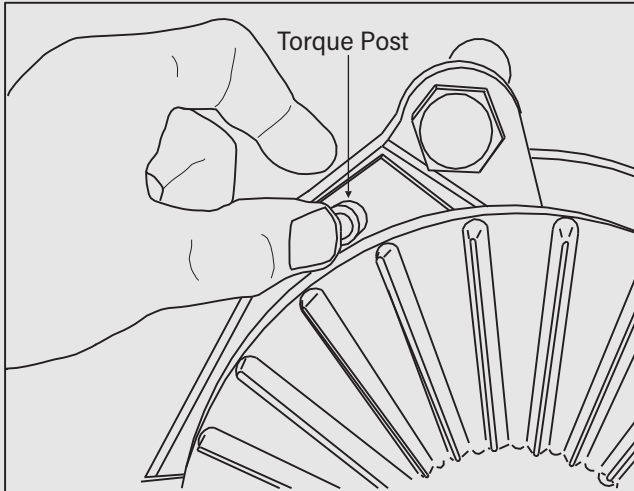


**⚠ WARNING!** Be sure that the shaft is not in use and the brake discs are not rotating when changing friction pads.

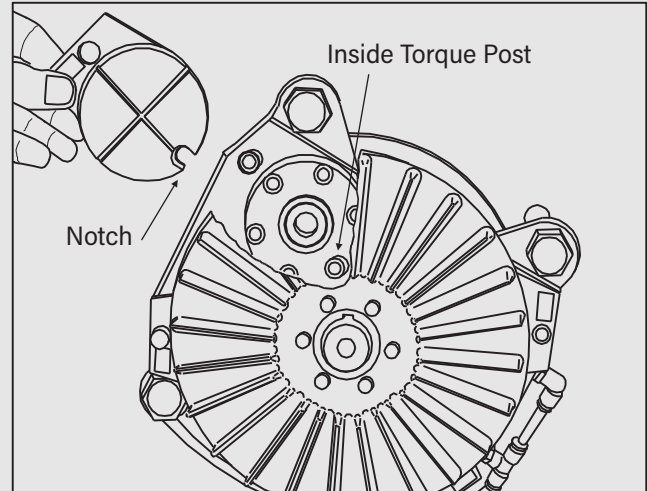
## SILENCER BRAKE PAD INSTALLATION PROCEDURE

Remove the safety cover from the brake assembly and set it aside. Verify that there is no air pressure on the brake pads (it will be impossible to remove the pads if they are under pressure).

**Step 1.** Remove the first single brake pad by pressing down on the torque post until it is no longer through the pad and pull the old pad out of the brake.

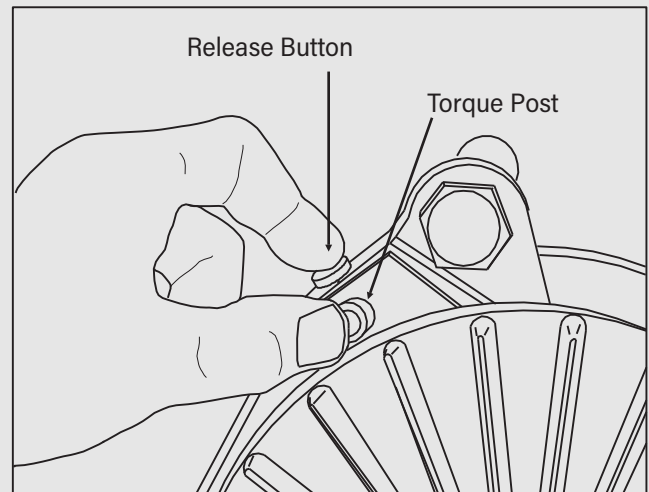
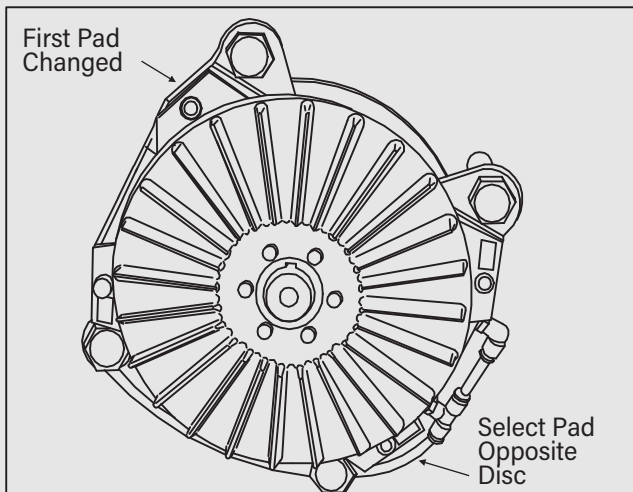


**Step 2.** Install the new Silencer™ pad by sliding it into the brake so that the notch in the bottom of the pad engages the torque post on the inside of the cylinder (be sure the friction material is facing the disc). Press the pad in until the torque post snaps back out through the torque post hole in the pad. The torque post will lock the pad in position in the brake.



**Step 3.** Remove a second pad from the opposite side of the brake (friction material against the opposite disc) about 180 degrees from the pad installed in Step 1. Replace with the second Silencer pad as noted in Step 2.

**NOTE:** Older brakes may have two (2) buttons to depress to remove pads as show in the figure below. Press the release button, then the torque post over the friction pad you wish to change. After inserting the Silencer™ pad you will need to press the release button to make the torque post snap back through the pad's backing hole.



**NOTE:** Typically only two Silencer™ pads per brake are required to prevent squeal. The need to install more than two pads may be required in rare circumstances.

