

## TI21 DIGITAL TENSION INDICATOR

The compact TI21 digital indicator is easy to install, set up and use. All functions can be accessed quickly through three touchpad buttons on the front panel. The large, backlit LCD displays tension and prompts for response during push-button calibration or re-zero. A choice of pre-selected tension meter ranges is provided for convenience.

Designed for incorporation into an industrial control panel, the TI21 offers three different mounting choices for true flexibility, including flange, key-hole or DIN-clip. For convenient wiring and accessibility the electrical connection strips are located on the TI21 front panel.



### FEATURES:

- Push-button calibration (no potentiometers required)
- Preset full scale ranges
- 2-line, 16-character/line backlit display for calibration and tension readout
- 3-key membrane keypad/overlay for calibration
- Auto-rezero after powerup
- Easy pushbutton rezero at any time
- 3-position terminal block for AC power
- 10-position terminal block for transducer and output signals

- 0-10V tension signal output
- 0-1mA tension meter output
- Small package size allows for maximum mounting flexibility in tight spaces
- One version for all DFE transducers

### OPTIONS:

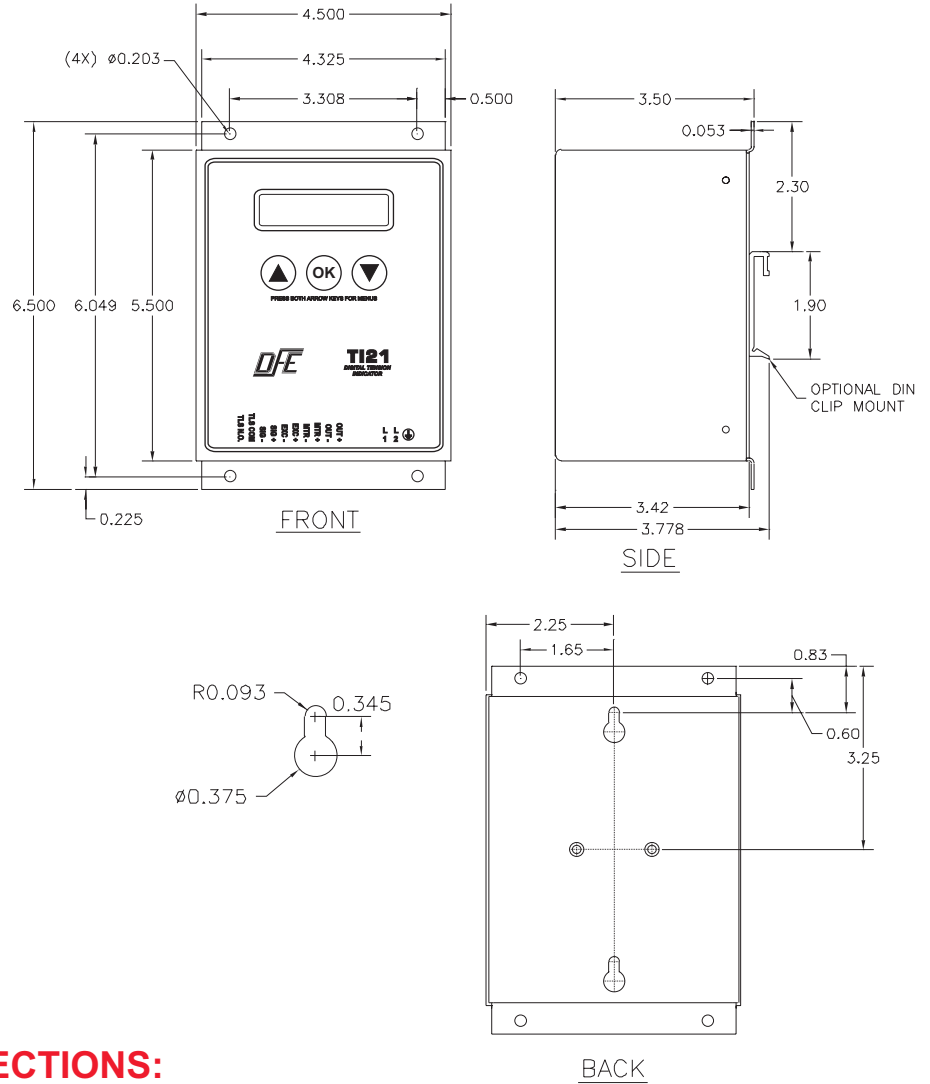
- 230 Volt Power (230)
- Extended range (XRE) excitation
- DIN rail mounting clip
- Isolated 0-10V (I10) or 4-20mA(I420) output

### SPECIFICATIONS:

- Power Input
- Tension Signal Outputs
- Weight
- Transducer Signal In
- Transducer Excitation
- Zero (Tare) Range
- Calibration Range
- Temperature Range
- System Accuracy
- Tension Meter
- Standard Tension Ranges

115 Volts 60/50Hz single phase @ 1/4 Amp  
 230 Volts 60/50Hz single phase @ 1/8 Amp  
 0 to 1mA output (for meter)  
 0 to +10 Volts DC @2mA  
 0 to +10V Isolated (Option)  
 4-20mA Isolated (Option)  
 6.6 lbs. (3 KG)  
 500 mV dc at rated load (per pair)  
 5 Volts dc (10 Volts dc with XR option)  
 95% of transducer rating, minimum  
 25:1  
 32 to 104 deg.F (0-40 deg.C)  
 1 - 3% typical  
 Analog, 2%, 1mA, 48 ohm (Option)  
 0 - 1,5,10, 25, 50, 75,100,150,200, 250, 300,  
 500,1000,1500, 2000, 2500, 3000

## DIMENSIONS:



## ELECTRICAL CONNECTIONS:

