



TI31 TRIVIEW™ LRT TENSION INDICATOR



The TriView™ LRT tension indicator works with a Tension Roll® transducer or a transducer pair (mounted on each end of an idler roll) to independently measure both sides of web tension.

The output signals from the transducers are amplified and calibrated by the TriView™ indicator to display actual tension for left, right and total web width. Independent signal outputs, proportional to tension, can be used from each channel with a programmable

logic controller, data logger or web edge guide.

By tapping the touchscreen a machine operator can select either left and right tension readings below the main screen, or a balance indication showing the deviation between left and right edges of the connected load cell roller. This makes it possible for the machine operator to equalize the tension at the roll edges by means of appropriate manual or automatic adjustments to the machine.

FEATURES & BENEFITS

- Displays actual web tension at both sides of the web to permit equalization side to side, also displays total tension with no guesswork
- Can be interfaced with control systems for automatic control of tension via three isolated outputs, each output having 0-10 VDC and 4-20 mA signal
- Enables the machine operator to determine proper tension for any web and consistently reproduce that tension any time that job is run
- Tension Limit Switch is built in and can be set to trigger external alarms via two solid state relays: One for TLS Low and one for TLS High - feature can be deactivated when not required
- Programmable registers for up to 5 selectable setups
- 24 VDC or optional 100-240 VAC power input
- Up to five setups can be saved and recalled enabling the machine operator to determine the proper tension for any web while consistently reproducing that tension whenever that job is run
- QuikCal™ Zero and Calibration
- Choice of Panel Mount or NEMA 1 wall-mounted steel enclosure
- Green power-on LED
- 5" color touchscreen with display meter and operator selectable choice of tension scale
- Independent 0-10 VDC and 4-20 mA outputs proportional to left, right and total tension
- Touchscreen allows selection of alternate display modes and other menu-selectable settings
- 5 year warranty

SPECIFICATIONS

Power Input: 24 VDC @ 0.25 Amp or optional 100-240 VAC 60/50Hz single phase @ 0.25 - 0.15 Amp

Tension Outputs:

- 0-10 VDC @ 5 mA individually isolated outputs for left, right, and total tension
- 4-20 mA individually isolated outputs for left, right, and total tension

Transducer Input Signal:

500 mVDC at rated load per pair or 1000mVDC for XR transducers and XRE excitation

Transducer Excitation:

5 VDC regulated (10 VDC with XR option)

Zero Range: 0-95% of transducer rating (min.)

System Accuracy: 1% typical

Calibration Range: 50:1 (min.)

Weight: 5.5 lbs (2.5 kg) for enclosed version

Temperature Range: 32°F to 104°F (0°C to 40°C)

Display Meter:

5" color touchscreen with analog/digital display

User Selectable Tension Ranges:

0-1, 5, 10, 15, 20, 25, 35, 50, 75, 100, 125, 150, 200, 250, 300, 400, 500, 750, 1000, 1250, 1500, 2000, 2500, 3000, 4000, 5000

Mating Transducer Cable Connectors:

DFE P/N: 721-1445

Tension Limit Switch Relay:

Dedicated high/low isolated solid state relay rated @ 250 mA / 24 V, normally open

ORDERING INFORMATION

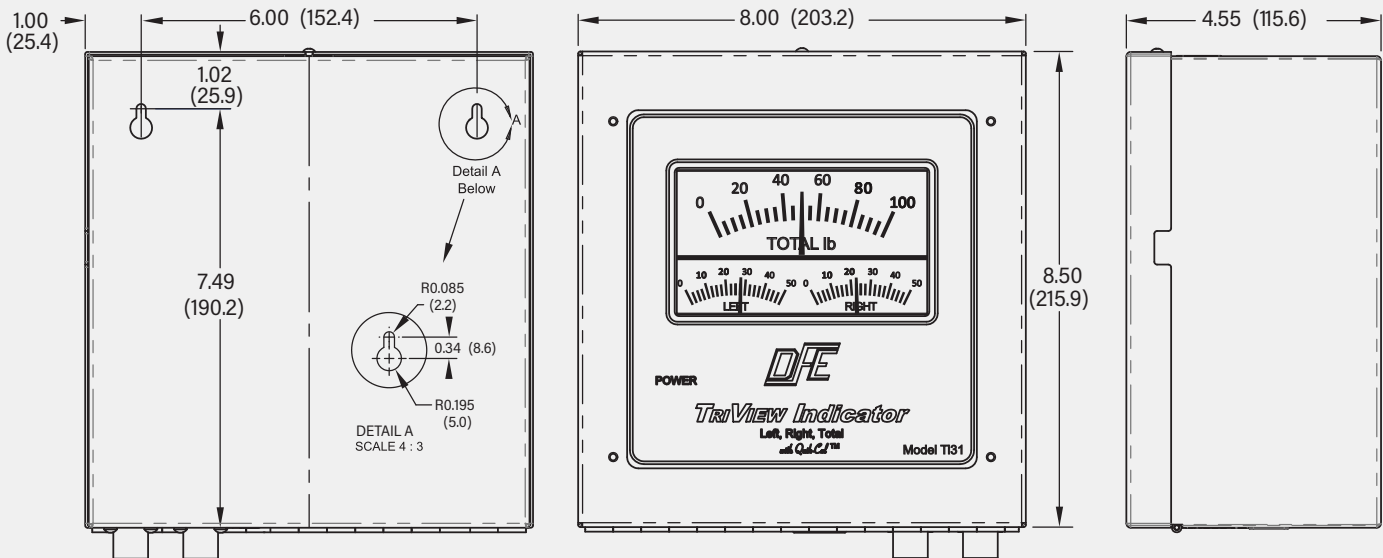
You may order by description or by specifying the code shown below by matching each labeled position with one of the choices given. **EXAMPLE: TI31E-24-100-XRE**

TI31 X - X - XXXX - OPTIONS

PACKAGING	POWER	METER SCALE	OPTIONS
E = Enclosure P = Panel Mount	24 AC	1 100 1000 5 125 1250 10 150 1500 15 200 2000 20 250 2500 25 300 3000 35 400 4000 50 500 5000 75 750	25CW = Cal Weight Ratio is 25% DIFF = Displays difference between left & right side tensions TLS = Tension Limit Switch XRE = Extended Range ¹

NOTES: 1. XRE option requires transducers to have XR option.

DIMENSIONS OF ENCLOSURE VERSION



Allow 3" minimum under unit
for electrical connections

DIMENSIONS OF PANEL MOUNT VERSION

